



Turn-N-Slide™ [U. S. Patent No. 6,814,094] FASTENING DEVICE OPERATING INSTRUCTIONS

IMPORTANT! Your Shade Systems product is not designed for snow loads, nor for withstanding wind speeds which exceed the wind rating shown in the assembly drawings which accompanied your product. Your CoolNet™ fabric canopy MUST be removed if any snow fall is expected, or if severe storms are expected with winds exceeding the wind rating of your Shade Systems structure. Please follow these instructions for removing the canopy by operating the Turn-N-Slide™ fastening system.

TOOLS REQUIRED:

Shade Systems, Inc. has provided the special hex-pinned allen key required to loosen the security bolts and access the end caps with your order in the hardware package. Shade Systems does not supply the ¾" deep socket with ratchet which would also be required to operate the Turn-N-Slide. In addition, the following supplementary tools and supplies may be helpful:

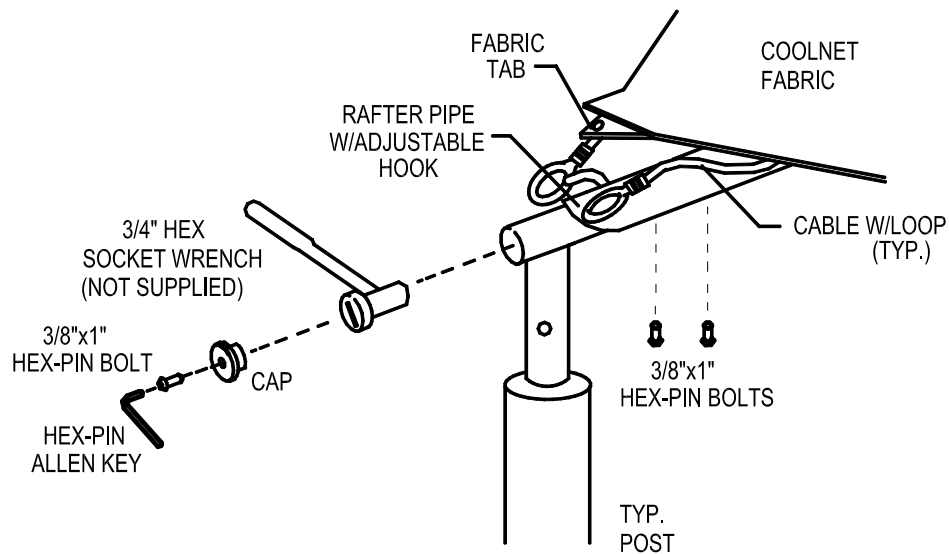
- Battery drill with ¾" deep socket (use instead of a ratchet to speed the process)
- At least one ladder tall enough to reach the Turn-N-Slides
- A length of rope (see below) with utility knife to cut
- Wire ties or twine

INSTRUCTIONS:

NOTE: For a helpful 6-minute video on using the Turn-N-Slide easy fastening system, visit www.shadesystemsinc.com and follow the Turn-N-Slide icon.

1. Use the hex-pinned allen key provided with your order to remove the end caps on the shade system's rafters. Store the end caps and removed hex-pin bolts in a safe location.
2. Referring to the diagram below, and using the same hex-pinned allen key, loosen the two (2) security hex-pin bolts on one rafter 1 to 2 turns each. **DO NOT REMOVE THEM.** These bolts serve to lock the Turn-N-Slide in place, and must be loosened to allow the Turn-N-Slide sleeve to move. **BE CAREFUL NOT TO STRIP THE HEADS.** If the bolts are too tight to loosen, continue to the next step.
3. Use a ratchet with a ¾" deep socket (not provided) to turn the concealed nut in the end of a rafter. A battery powered drill with deep socket attachment is useful for speeding up this step. The Turn-N-Slide sleeve will begin to slowly move backward up the rafter. If you skipped step 2, and the sleeve does not move after several turns of the socket, return to Step 2 and attempt to loosen the security bolts again. They should loosen this time, and you may hear a snap in the Turn-N-Slide as it frees up. If the sleeve still does not move, use a rubber mallet or hammer to gently tap the end to release. Continue turning the socket until the Turn-N-Slide sleeve has moved back at least 7 inches for smaller structures (up to 500 s.f.), or at least 12" for larger structures.

Turn-N-Slide Instructions, continued



4. Repeat Steps 2 and 3 for all rafters.
5. When all Turn-N-Slide sleeves are in their upmost position, pull the fabric corners and cables off the Turn-N-Slide hooks. Use wire ties or twine to tie the two cable loops protruding from each fabric corner together. This will prevent them from slipping into the hems while the canopy is being handled.
6. Pull the fabric canopy off the frame and lay on the ground. Fold into a 4' square and store safely in a dry location off the ground. Do not stack anything on top of the canopy while in storage.
7. To re-attach the canopy, unfold it on the ground next to the shade system. The canopy should be on the ground so that the Shade Systems sewn label is facing up.
8. Attach ropes to the protruding loops at each of the two corners of the canopy farthest from the structure, and throw the ropes over the frame so that they come down on the opposite side. Pull the ropes so that the canopy is hoisted over the frame.
9. Position the canopy so that each corner is near its corresponding Turn-N-Slide hook. Remove the wire ties used to fasten the loops together at each corner and pull the loops over the Turn-N-Slide hook. If your canopy corners were hooked on, attach them as well.
10. Reverse Steps 1 thru 3 above to re-tension the cables using the Turn-N-Slides, and store your hex-pinned allen key, along with these instructions, in a safe place to use next time. It is also recommended that the Turn-N-Slide threads are greased with each use.