

Café Umbrellas

by

Shade 
systems
INC.

the coolest solutions under the sun®



Shade Systems Inc.

1-800-609-6066 • www.shadesystemsinc.com



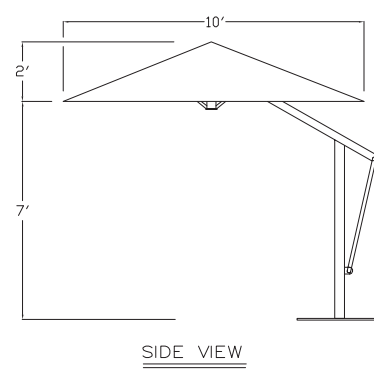
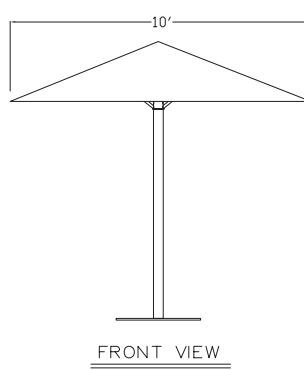
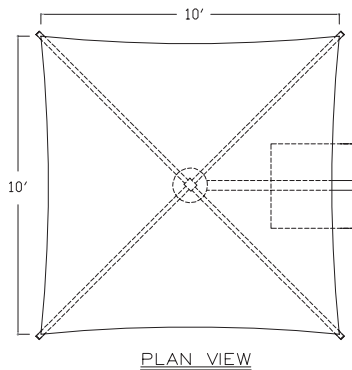
Heavy-duty Support Frame



Removable counter-weight stones on base plate for easy portability.



Collapsible umbrella mechanism allows quick closing in case of inclement weather.



SPECIFICATIONS:

- General:** Café Umbrellas by Shade Systems are portable and collapsible, and provide convenient shading for a variety of outdoor environments such as pools, water parks, theme parks, concessions, restaurants, patios, and any other outdoor gathering places where people desire protection from the sun's dangerous U.V. rays. Optional permanent mounting is also available.
- Frame:** Constructed of heavy gauge galvanized steel tubing and aluminum components for strength, yet lightweight for easy portability.
- Finish:** All metal components to have a U.V. stabilized polyester powder-coat finish, available in a variety of durable colors.
- Canopy:** CoolNet™ shade fabric is 80% water-resistant and shall be knitted of monofilament and tape construction high density polyethylene with U.V. stabilizers, providing up to 99% U.V. screening. Optional water-repellant fabrics are made from 100% solution-dyed acrylic yarns and provide 98% U.V. screening.
- Hardware:** All hardware shall be stainless steel or aluminum for maximum rust resistance.
- Warranty:** 20 years against rust-through corrosion; 10 years on CoolNet™ shade fabric and stitching thread against deterioration; 3 years on water-repellant fabric and 1 year on all moving parts. Please refer to separate Limited Warranty sheet for complete details.

Model No.	Description	Weight	Price
CS1010S	Café Umbrella with Shade Fabric	436 lbs.	\$3,596.00
CS1010W	Café Umbrella with Water-repellant Fabric	436 lbs.	\$3,596.00
CSROLL	Roller Wheel option (wheels on base plate allow easier portability)	n/a	\$520.00

Specifications and pricing subject to change without notice. Prices do not include any applicable taxes, delivery, or installation. All weights are approximate.